

# MB 155

## HORIZONTAL CENTRIFUGAL PUMPS



Product designed and constructed in Italy

Constructed in polypropylene or PVDF

Under head use

Weld-free

Usable with fluids containing suspended solids

Extremely easy to maintain

Suitable for continuous use

Available with:

- Mechanical bellows seal (new generation "Self-locking" system)

Aisi 304 spring - Seal ring in SILICON CARBIDE + CERAMIC / SILICON CARBIDE + SILICON CARBIDE

- Lip seal: VITON® or EPDM



## MB PUMPS CODES ENCODING

ex. MB080--P-TLVN  
MB 80 PP, Viton® lip seal, three-phase motor.

MB80	P	TLV	N
PUMP MODEL	PUMP PUMP	TYPE OF SEAL	MOTOR
MB 80 - MB 80 MB 100 - MB 100 MB 110 - MB 110 MB 120 - MB 120 MB 130 - MB 130 MB 140 - MB 140 MB 150 - MB 150 MB 155 - MB 155 MB 160 - MB 160 MB 180 - MB 180	P - Polypropylene FC - PVDF+CF	TLV - Viton® lip seal TLD - EPDM lip seal TSV - Viton® bellows seal TSD - EPDM bellows seal	N* - Three-phase motor M - Single-phase motor A - ATEX motor

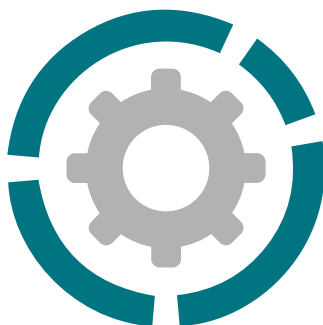
\* Three-phase asynchronous eurotension motor fitted as standard (2 poles) 50Hz

# MB 155

HORIZONTAL CENTRIFUGAL PUMPS



## Specifications and types



Suction fittings	G 2" 1/2 f or DN 65
Delivery fittings	G 2" m or DN 50
Max flow rate	50 m <sup>3</sup> /h
Max head	27 m
Viscosity up to	500 cps
Standard open impeller	Ø 162 mm H 4 mm - 10 ° *
Passing solids	Ø max 3 mm

\* Special versions are available on request for the fluid pumped

PP



### Pump casing construction material, operating temperature and net weight

Polypropylene (with glass additive)	9.5 Kg*
	Max 3°C min.
	65°C max

PVDF (with carbon additive)	12.4 Kg*
	Max 3°C min.
	95°C max

\* The weights refer to the pump without the motor

### Standard electric motor:

Kw	5.5
HP	7.5
Box	B3 + B5
RPM	2900

THREE-PHASE 400/690 V

50/60 Hz

2 poles

Efficiency class IE3

IP55 protection rating

Ambient temperature -30°C + 45°C

Aluminium/Cast iron

ATEX on request

PVDF



### MAIN APPLICATION SECTORS



CHEMICAL INDUSTRY



WATER AND SLUDGE TREATMENT



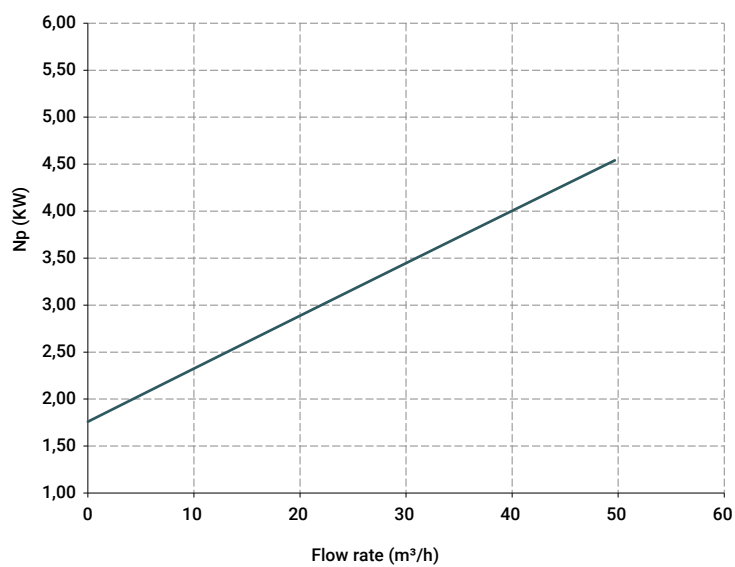
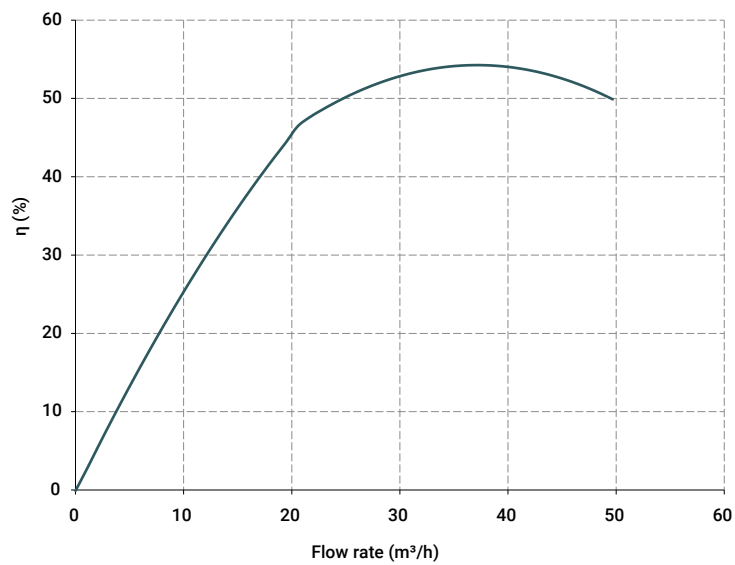
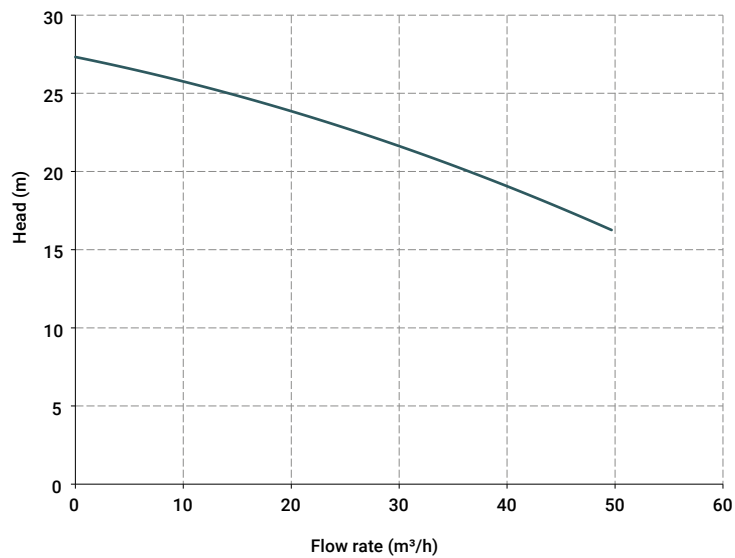
GALVANIC AND ELECTRONIC INDUSTRY

# MB 155

HORIZONTAL CENTRIFUGAL PUMPS



## Specifications and types



The curves and the performances refer to pumps with open delivery outlet, with water at 20°C, 50 Hz two-pole motor [2900 RPM].

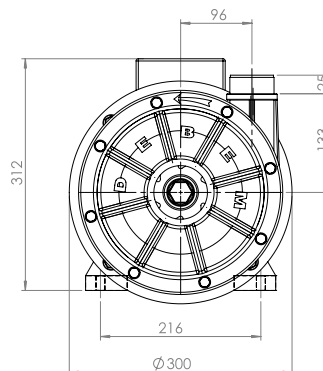
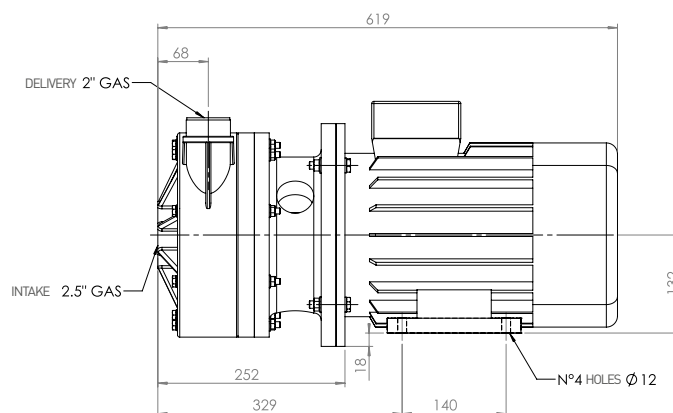
# MB 155

HORIZONTAL CENTRIFUGAL PUMPS

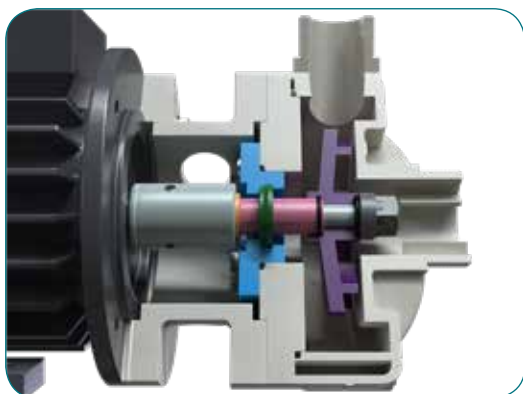


## Specifications and types

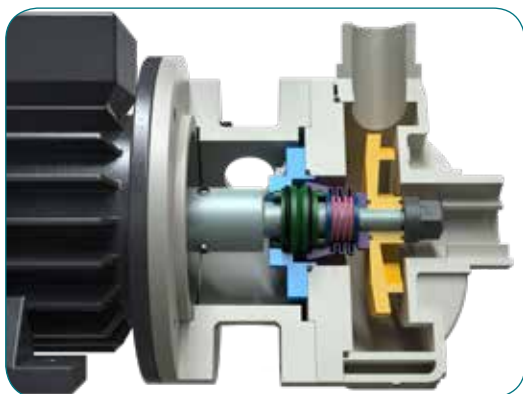
Pump	Motor power
MB 80	0.37 Kw - 0.5 HP
MB 100	0.55 Kw - 0.75 HP
MB 110	1.1 Kw - 1.5 HP
MB 120	1.5 Kw - 2 HP
MB 130	2.2 Kw - 3 HP
MB 140	3 Kw - 4 HP
MB 150	4 Kw - 5.5 HP
<b>MB 155</b>	<b>5.5 Kw - 7.5 HP</b>
MB 160	7.5 Kw - 10 HP
MB 180	11 Kw - 15 HP



TL = lip seal



TS = bellows seal



### Seal o-ring materials:

- EPDM
- VITON®

### Package:

- wooden crate  
cm 73 x 40 x 46 – weight 14 Kg  
(The weight refers to the package only, without the pump)

### Accessories

#### FLANGE KIT (DIN standard - ANSI available on request):

- KITFLANGMB155P (POLYPROPYLENE)
- KITFLANGMB155F (PVDF)

Polypropylene or PVDF basket strainers